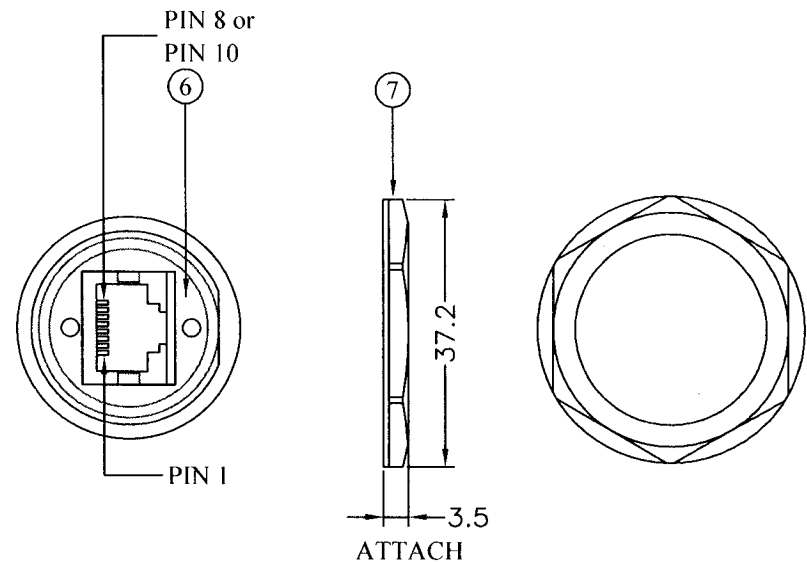
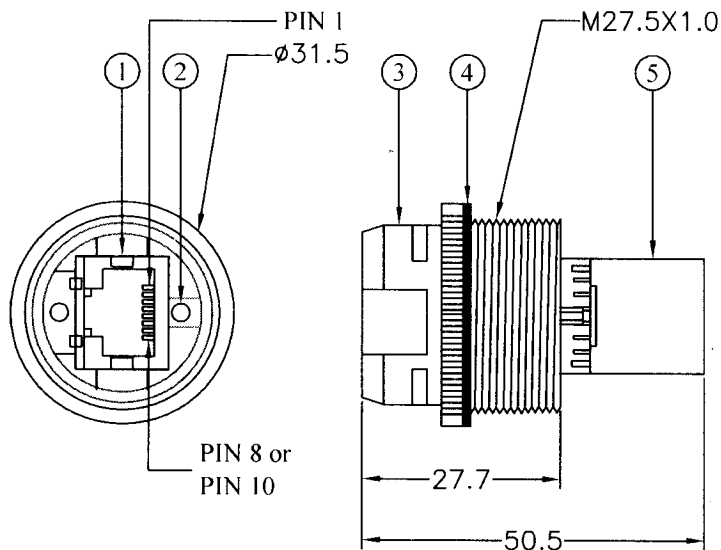


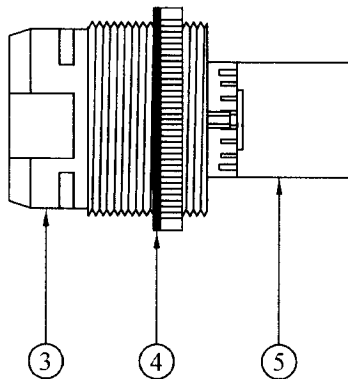
Recommended Panel Cut-Out

MOUNT INNER TYPE (內鎖)



Note:
 Waterproof Rate : IP 68
 UV Resist
 Applicable Panel Borad Thickness:
 2.0~4.0mm

MOUNT OUTER TYPE (外鎖)



ORDERING CODE

RJ45J B - 088 Y J - D

SERIES NO. _____
 B=MOUNT INNER _____
 C=MOUNT OUTER _____
 088=JACK 8P8C _____
 100=JACK 10P10C _____
 Y=W/POWER TERMINAL _____
 N=W/O POWER TERMINAL _____
 JACK TO JACK _____
 D=W/DUST COVER _____
 N=W/O DUST COVER _____

PIN OUT:

RJ45-8P&10P	10P	8P	CONN-2X6P
1			1
2	1		2
3	2		3
4	3		4
5	4		5
6	5		6
7	6		7
8	7		8
9	8		9
10			10
			11-NC
Shield	Shield		12-GND

NO	NAME	SPECIFICATION
8	For Panel Thickness	Max 5.0mm
7	Nut	Nylon + GF Black
6	Epoxy	Black
5	RJ45 JACK	Shielded Jack 8Pin OR 10Pin
4	Gasket	EPDM Black
3	Housing	Nylon + GF Black
2	Terminal Pin	Brass Gold Plated 250V/5A
1	RJ45	Shielded Jack 8Pin OR 10Pin

詮盛企業股份有限公司 CHIEN SHERN ENTERPRISE CO.,LTD.	TITLE	QUICK PULL IN-OUT WATER PROOF RJ45 TO RJ45 JACK PANEL MOUNT INNER TYPE	TOLERANCE	DRAWN	許建華	DATE	2011.01.12		
	PART NO.	RJ45JX-XXXYYJ-D	DIM. .0 ±0.30	CHECK		DATE			
	DWG.NO.	RJ45JX-XXXYYJ-D	.00 ±0.20	APPROVE		DATE			
			.000 ±0.10	SCALE	1:1	UNIT	mm	REV.	01