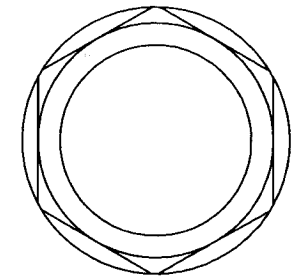
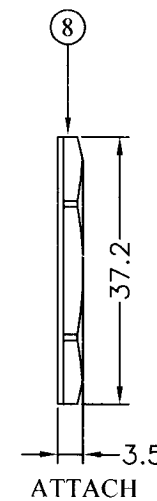
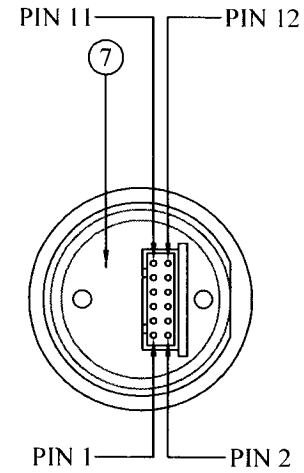
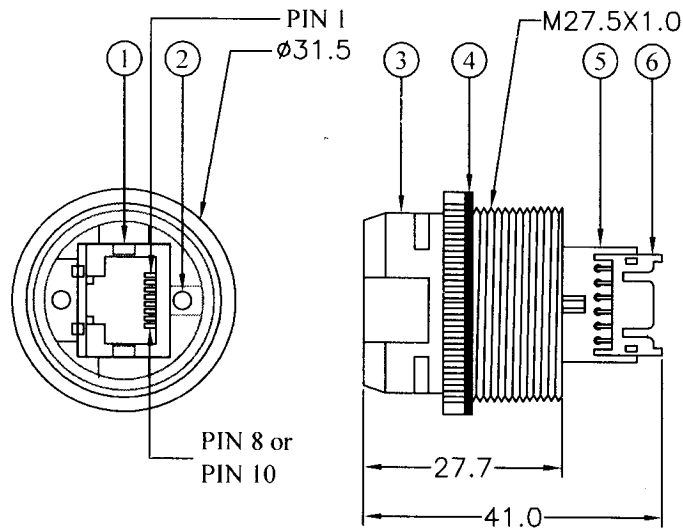


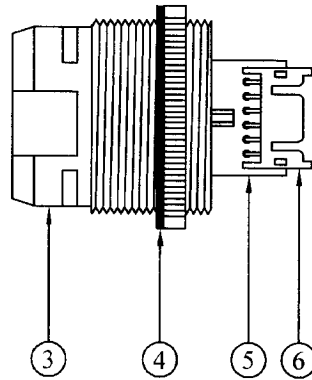
Recommended Panel Cut-Out

MOUNT INNER TYPE (內鎖)



Note:
 Waterproof Rate : IP 68
 UV Resist
 Applicable Panel Borad Thickness:
 2.0~4.0mm

MOUNT OUTER TYPE (外鎖)



ORDERING CODE

RJ45J B - 088 Y B - D

SERIES NO. _____
 B=MOUNT INNER _____
 C=MOUNT OUTER _____
 088=JACK 8P8C _____
 100=JACK 10P10C _____
 Y=W/POWER TERMINAL _____
 N=W/O POWER TERMINAL _____
 W/HEADER 2X6P _____
 D=W/DUST COVER _____
 N=W/O DUST COVER _____

PIN OUT:

RJ45-8P&10P	10P	8P	CONN-2X6P
1			1
2		1	2
3		2	3
4		3	4
5		4	5
6		5	6
7		6	7
8		7	8
9		8	9
10			10
			11-NC
			Shield 12-GND

NO	NAME	SPECIFICATION
9	For Panel Thickness	Max 5.0mm
8	Nut	Nylon + GF Black
7	Epoxy	Black
6	Header	PHD2.00mm 2X6P 90°
5	PCB	FR-4
4	Gasket	EPDM Black
3	Housing	Nylon + GF Black
2	Terminal Pin	Brass Gold Plated 250V/5A
1	RJ45	Shielded Jack 8Pin OR 10Pin

詮盛企業股份有限公司 CHIEN SHERN ENTERPRISE CO.,LTD.	TITLE	QUICK PULL IN-OUT WATER PROOF RJ45 JACK PANEL MOUNT INNER TYPE+WAFER	TOLERANCE	DRAWN	許建華	DATE	2011.01.12		
	PART NO.	RJ45JX-XXX YB-D	DIM.	CHECK		DATE			
	DWG.NO.	RJ45JX-XXX YB-D	.0 ±0.30	APPROVE		DATE			
			.00 ±0.20	SCALE	1:1	UNIT	mm	REV.	01
			.000 ±0.10						