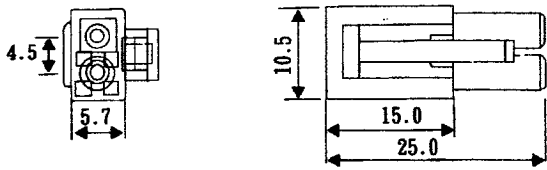
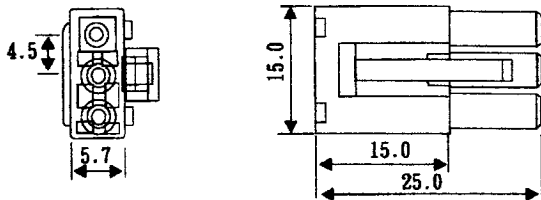


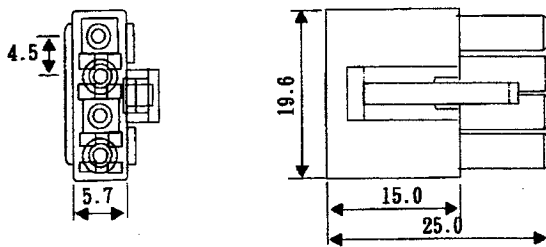
**PART NO: H66J5-02**



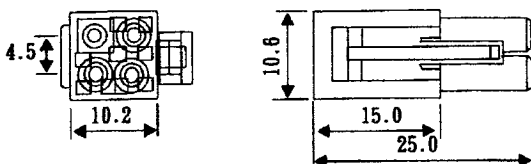
**PART NO: H66J5-03**



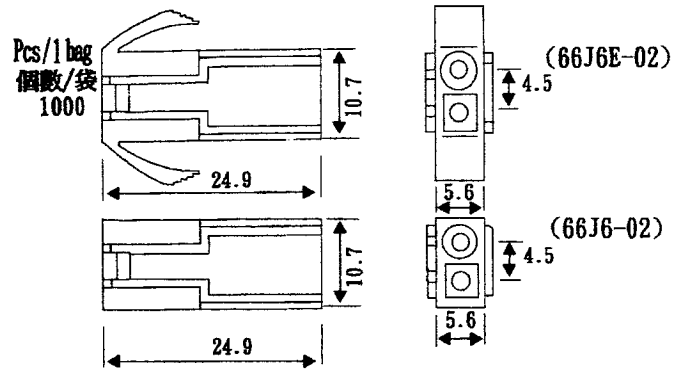
**PART NO: H66J5-04 (1\*4)**



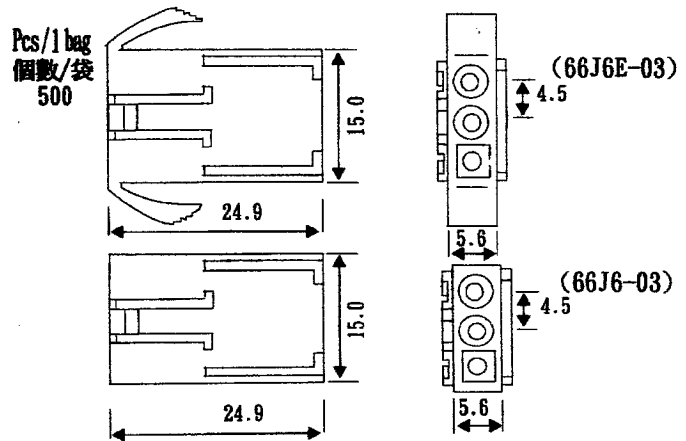
**PART NO: H66J5-04 (2\*2)**



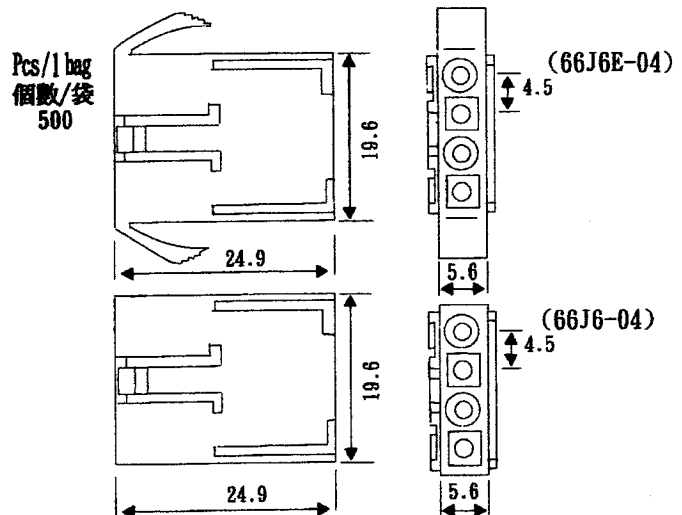
**PART NO: H66J6-02, 66J6E-02**



**PART NO: H66J6-03, 66J6E-03**



**PART NO: H66J6-04, 66J6E-04 (1\*4)**



**PART NO: H66J6-04, 66J6E-04 (2\*2)**

