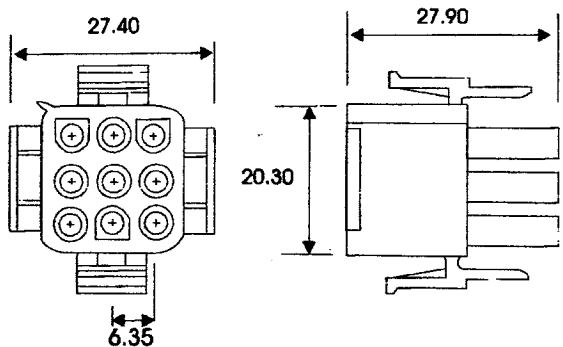
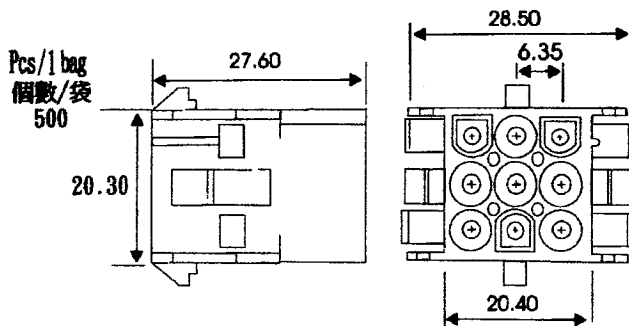


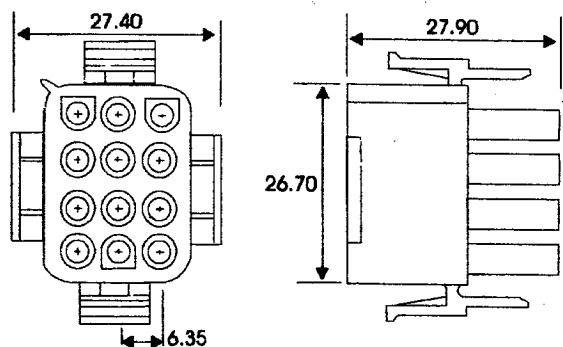
PART NO: H66A2-09



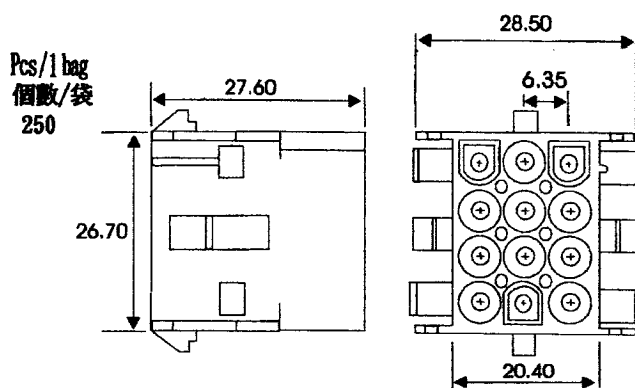
PART NO: H66A3E-09



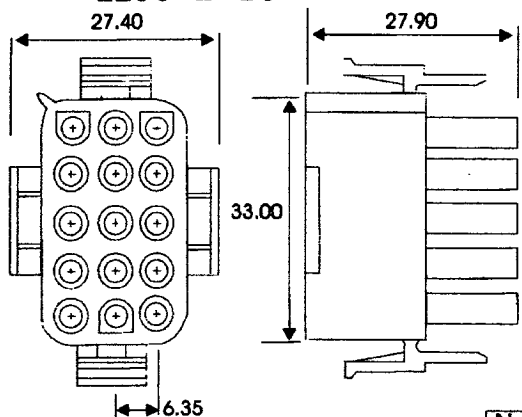
PART NO: H66A2-12



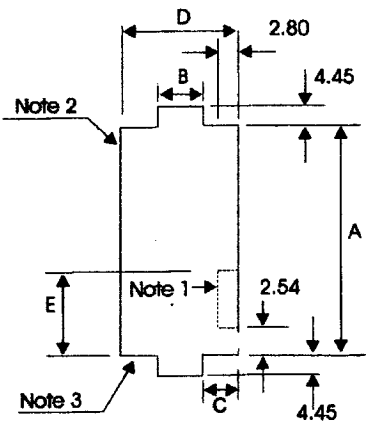
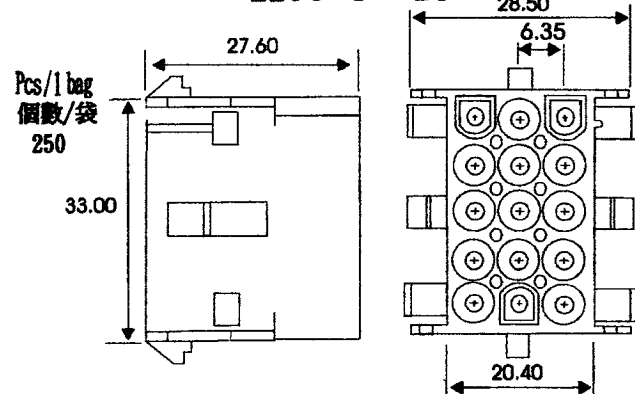
PART NO: H66A3E-12



PART NO: H66A2-15

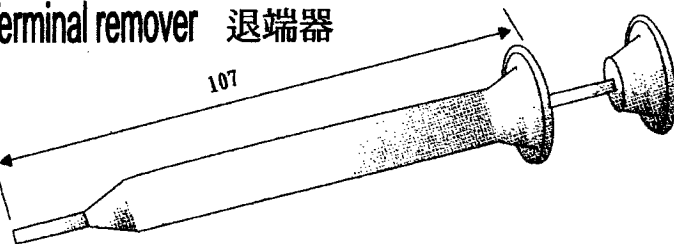


PART NO: H66A3E-15



| Number of Circuits | Dimensions | | | | |
|--------------------|------------|-------|------|-------|------|
| | A | B | C | D | E |
| 2 | 14.35 | 8.65 | 2.40 | 13.50 | 6.35 |
| 3 | 20.70 | 8.65 | 2.40 | 13.50 | 6.35 |
| 4 | 27.05 | 8.65 | 2.40 | 13.50 | 6.35 |
| 5 | 33.40 | 8.65 | 2.40 | 13.50 | 6.35 |
| 6 | 14.35 | 12.20 | 7.00 | 26.15 | 6.35 |
| 9 | 20.70 | 12.20 | 7.00 | 26.15 | 6.35 |
| 12 | 27.05 | 12.20 | 7.00 | 26.15 | 8.90 |
| 15 | 33.40 | 12.20 | 7.00 | 26.15 | 8.90 |

Terminal remover 退端器



- 1. Optional for keying to panel.
- 2. Circuit#1 location when using panel with 6, 9, 12 and 15 circuits housing
- 3. Circuit#1 location when using panel with 2, 3, 4 and 5 circuits housing