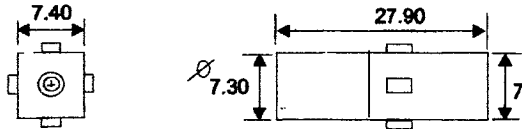
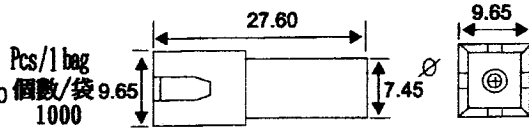


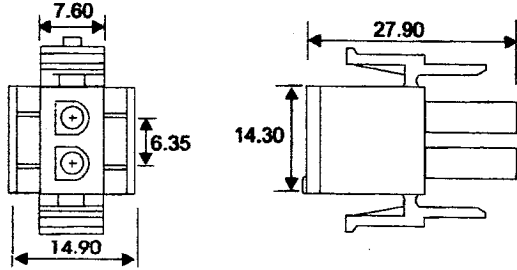
PART NO: H66A2-01



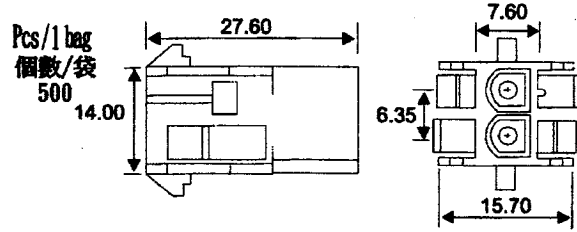
PART NO: H66A3-01



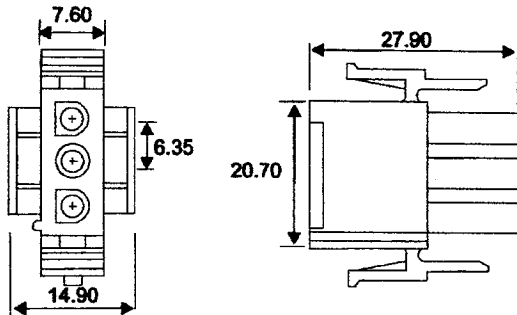
PART NO: H66A2-02



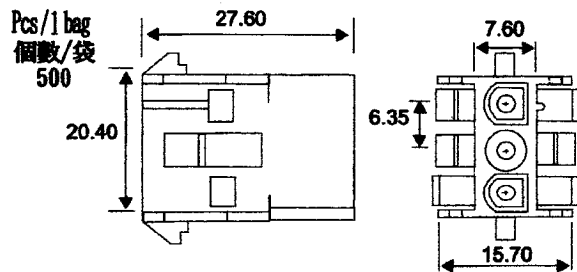
PART NO: H66A3E-02



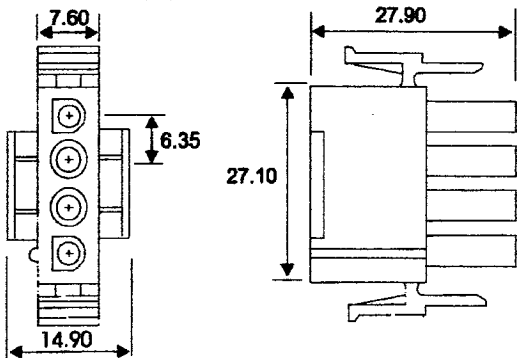
PART NO: H66A2-03



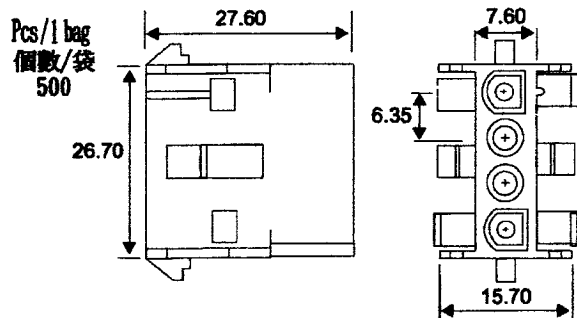
PART NO: H66A3E-03



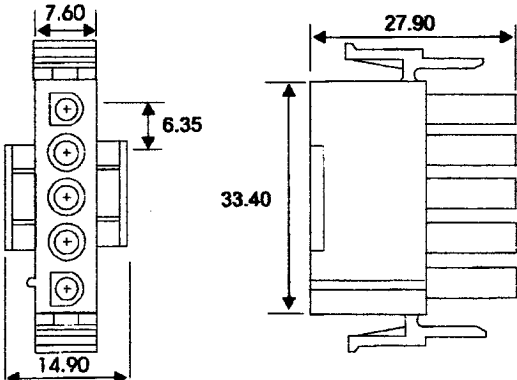
PART NO: H66A2-04



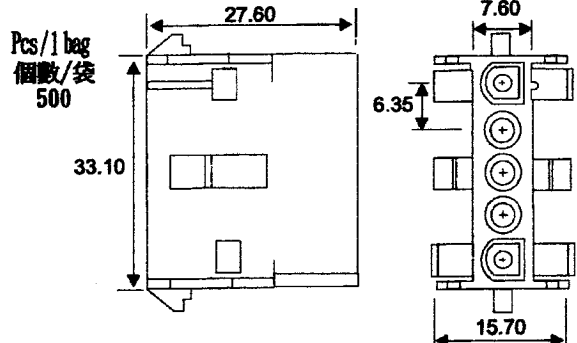
PART NO: H66A3E-04



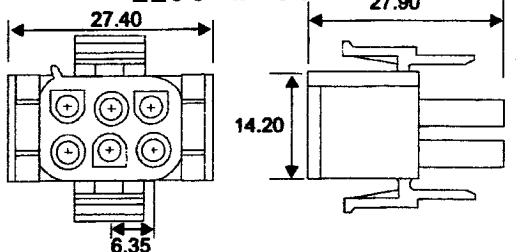
PART NO: H66A2-05



PART NO: H66A3E-05



PART NO: H66A2-06



PART NO: H66A3E-06

