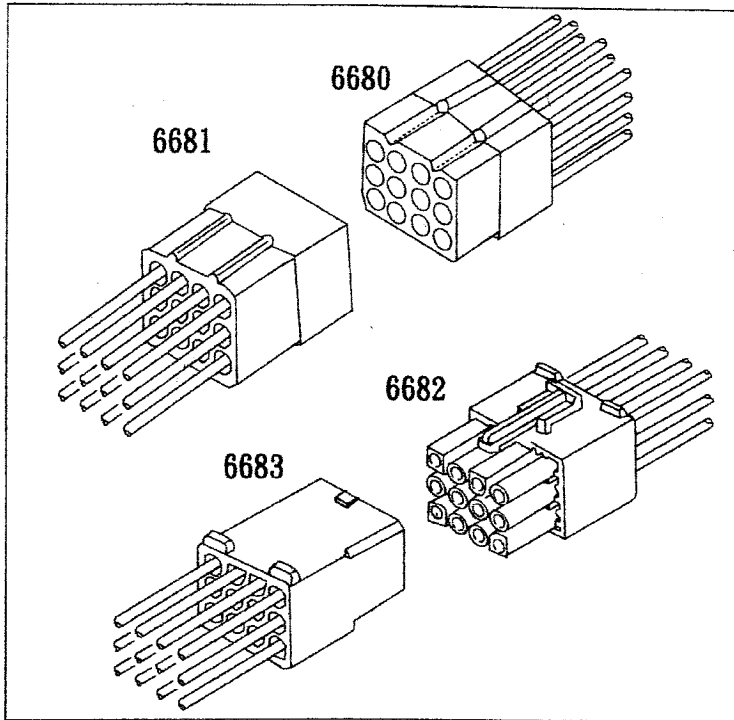


SERIES 6680, 6681, 6682, 6683 .093" (ϕ 2.36 mm) Wire to Wire Connectors

SPECIFICATIONS



- ★ Circuit: 1,2,3,4,5,6,9,12,15(6680,6681)
- ★ Circuit: 1,2,3,4,6,9,12,15(6682,6683)
- ★ Voltage rating: 300V AC,DC
- ★ Current rating: 12A,AC,DC
- ★ Withstanding voltage: 1500V AC/minute
- ★ Insulation resistance: 1000M Ω min
- ★ Temperature range: -25°C ~ +85°C
- ★ Unit(單位): m/m
- ★ Material(材質): UL94V-2 nylon 66
- ★ Tolerance(公差) \pm 0.3 m/m
- ★ 6680,6681,6682,6683 退端器共用

Part NO	WIRE RANGE	O. D. OF WIRE	MATERIAL	PLATING	QUANTITY PER REEL
	AWG	INSULATION			
T6680-A	20-14	1.9-3.5	BRASS	TIN-Plated	4000
T6680-B	24-20	1.5-2.7	BRASS	TIN-Plated	5000
T6680(中)	22-14	1.7-3.5	BRASS	TIN-Plated	4000

Part NO	WIRE RANGE	O. D. OF WIRE	MATERIAL	PLATING	QUANTITY PER REEL
	AWG	INSULATION			
T6681-A	20-14	1.9-3.5	BRASS	TIN-Plated	4000
T6681-B	24-20	1.5-2.7	BRASS	TIN-Plated	5000
T6681(中)	22-14	1.7-3.5	BRASS	TIN-Plated	4000

PART NO : T6680

(A-高脚 High Heel)
(B-低脚 Low Heel)
中料帶 Conveyor

PART NO : T6681

(A-高脚 High Heel)
(B-低脚 Low Heel)
中料帶 Conveyor

