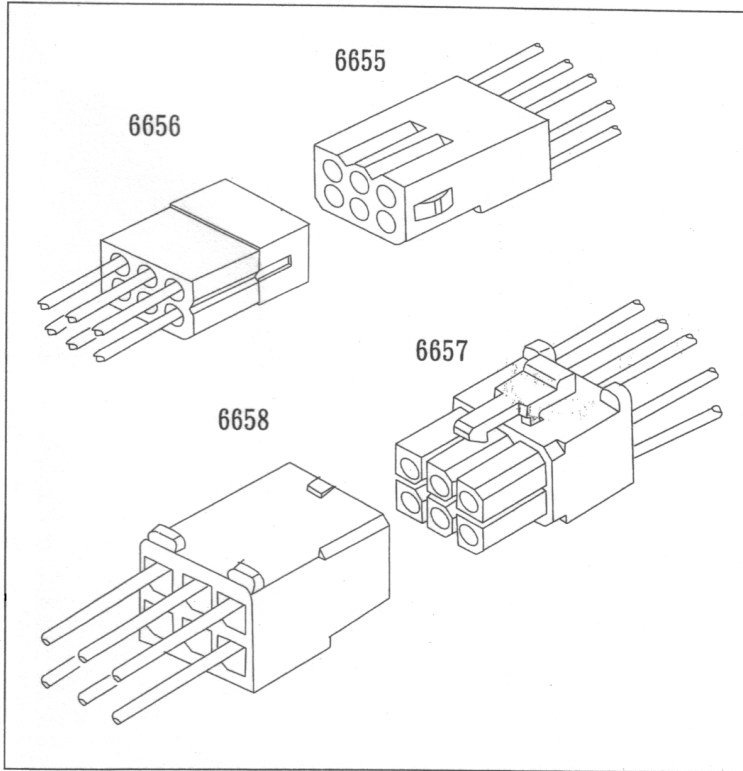


SERIES 6655, 6656 6657, 6658 .062" (ϕ 1.58m/m) Wire to Wire Connectors



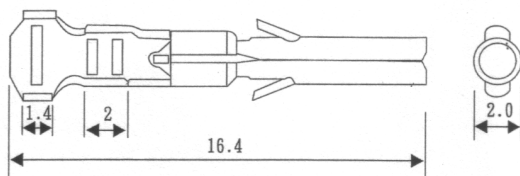
SPECIFICATIONS

- ★ Circuit: 1,2,3,4,5,6,9,12,15 (6655,6656)
- ★ Circuit: 2,3,4,6,9,12,15 (6657,6658)
- ★ Voltage rating: 250V AC,DC
- ★ Current rating: 6A AC,DC
- ★ Withstanding voltage: 1500V AC/minute
- ★ Insulation resistance: 1000M Ω min
- ★ Temperature range: -25°C ~ +85°C
- ★ Unit(單位): m/m
- ★ Material(材質): UL94V-2 nylon 66
- ★ Tolerance(公差): \pm 0.3 m/m
- ★ 6655,6656,6657,6658 退端器共用
Terminal remover shared

WIRE RANGE	MATERIAL	PLATING	QUANTITY PER REEL
AWG			
22-18	BRASS	TIN-Plated	7000

WIRE RANGE	MATERIAL	PLATING	QUANTITY PER REEL
AWG			
22-18	BRASS	TIN-Plated	7000

PART NO : T6655B



PART NO : T6656B

