

.100"(2.54mm) pitch single row headers

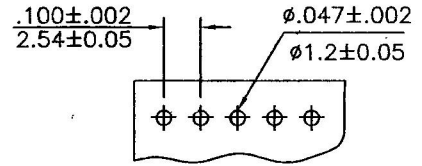


CW2546 Series

- * Poles: 2-12
- * Material: Insulator: NYLON66 UL94V-0
- * Color: P/N: White: CW2546X-XXW0
Henna: CW2546X-XXH0
- * Contact: 0.64mm(.025") square pin, brass, tin plated
- * Mates with CH251Z-XX series housing

Specifications

- * Current rating: 3A AC, DC
- * Voltage rating: 250V AC, DC
- * Temperature range: -25°C~+85°C
- * Insulation resistance: 1,000MΩ min.
- * Withstand voltage: 1,000 AC/minute
- * Applicable PC board thickness: .063" (1.6mm)

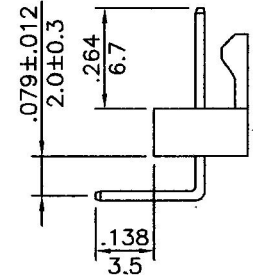
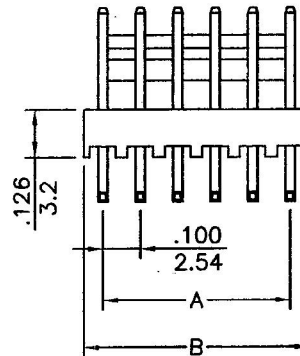
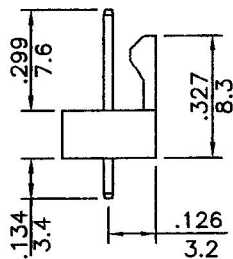
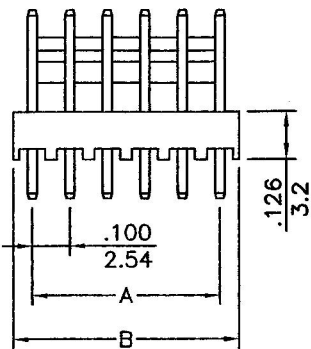
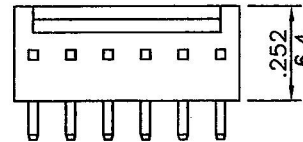
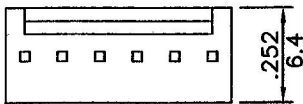


P.C. Board Layout

P/N: CW2546S-XXW0
P/N: CW2546S-XXH0
Straight Angle

inches
mm

P/N: CW2546R-XXW0
P/N: CW2546R-XXH0
Right Angle



CKTS	PART NO.	DIM. "A"	DIM. "B"	CKTS	PART NO.	DIM. "A"	DIM. "B"
2	CW2546X-02	0.100(2.54)	0.201(5.10)	8	CW2546X-08	0.700(17.78)	0.805(20.44)
3	CW2546X-03	0.200(5.08)	0.302(7.68)	9	CW2546X-09	0.800(20.32)	0.906(23.00)
4	CW2546X-04	0.300(7.62)	0.403(10.24)	10	CW2546X-10	0.900(22.86)	1.006(25.54)
5	CW2546X-05	0.400(10.16)	0.503(12.78)	11	CW2546X-11	1.000(25.40)	1.106(28.10)
6	CW2546X-06	0.500(12.70)	0.600(15.24)	12	CW2546X-12	1.100(27.94)	1.206(30.64)
7	CW2546X-07	0.600(15.24)	0.704(17.88)				