

.059"(1.50mm) pitch Wire to Board Header

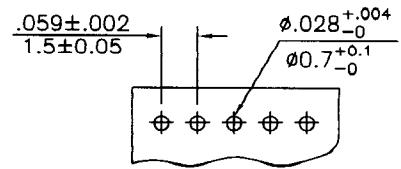


CW1500 Series

- * Poles: 2-13
- * Material: Insulator: NYLON UL94V-0
- * Contact: 0.5mm(.020") round pin, brass, tin plated
- * Mates with CH1500-XX series housing

Specifications

- * Current rating: 0.7A AC, DC
- * Voltage rating: 50V AC, DC
- * Temperature range: -25°C~+85°C
- * Insulation resistance: 500MΩ min.
- * Withstand voltage: 500V AC/minute
- * Applicable PC board thickness: .047" (1.2mm)

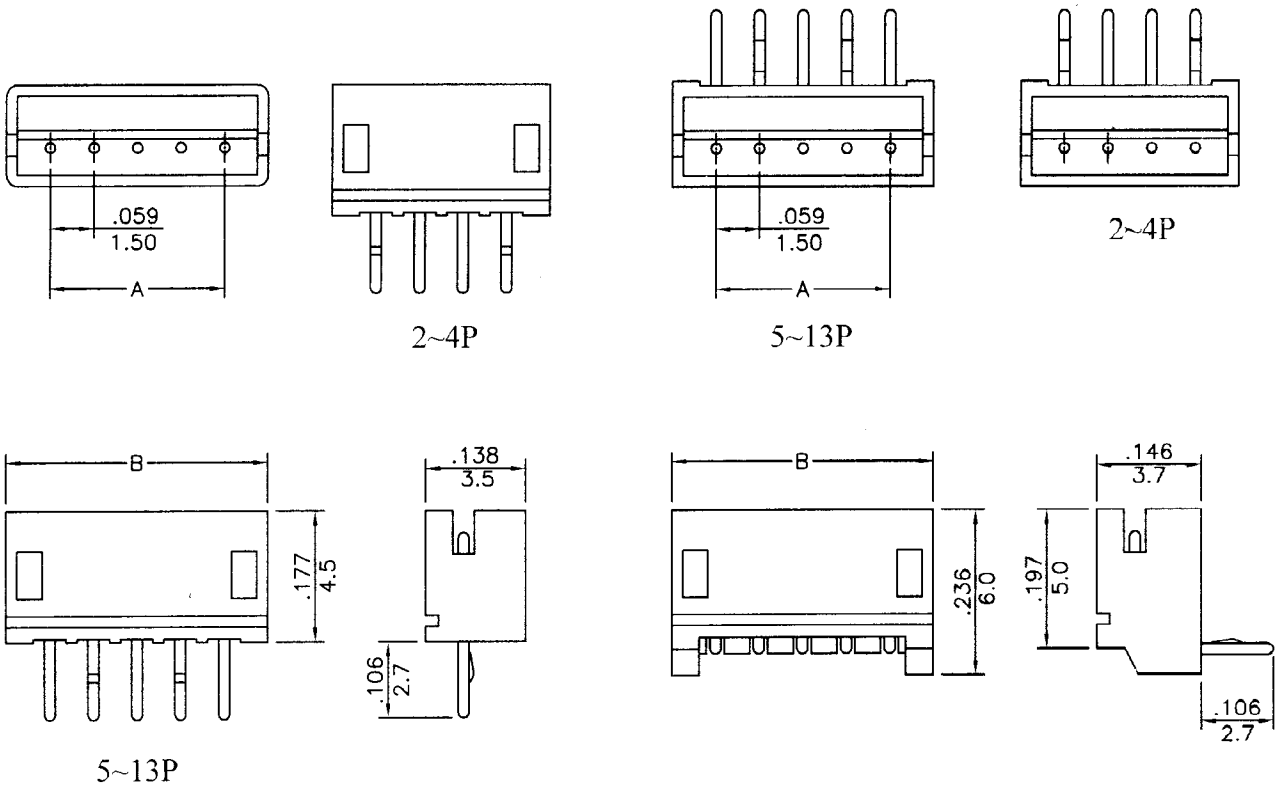


P.C. Board Layout

P/N: CW1500S-XX

P/N: CW1500R-XX

inches
mm



CIRCUITS	PART NO.	DIMENSION in.(mm)		CIRCUITS	PART NO.	DIMENSION in.(mm)	
		A	B			A	B
2	CW1500X-02	0.059(1.50)	0.177(4.5)	8	CW1500X-08	0.413(10.50)	0.531(13.5)
3	CW1500X-03	0.118(3.00)	0.236(6.0)	9	CW1500X-09	0.472(12.00)	0.591(15.0)
4	CW1500X-04	0.177(4.50)	0.295(7.5)	10	CW1500X-10	0.531(13.50)	0.650(16.5)
5	CW1500X-05	0.236(6.00)	0.345(9.0)	11	CW1500X-11	0.591(15.00)	0.709(18.0)
6	CW1500X-06	0.295(7.50)	0.413(10.5)	12	CW1500X-12	0.650(16.50)	0.768(19.5)
7	CW1500X-07	0.345(9.00)	0.472(12.0)	13	CW1500X-13	0.709(18.00)	0.827(21.0)