

# .200"(5.08mm) pitch Wire to Board Connectors

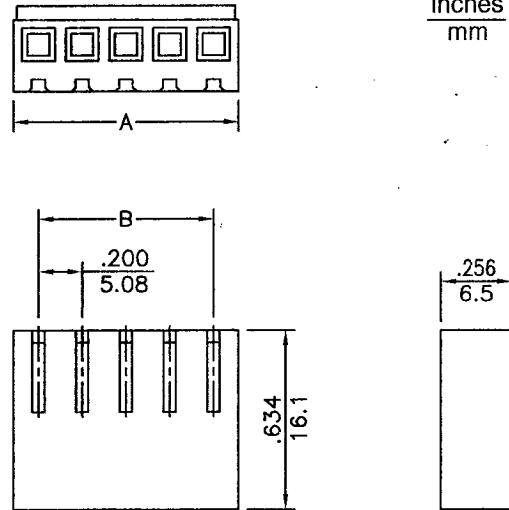


## CH5081 Series

- \* Poles:2-10
- \* Material:NYLON 66 UL94V-2
- \* Suitable CT393T series terminal
- \* Mates with CW5081, CW5082 series

### Specifications

- \* Current rating: 7A AC, DC
- \* Voltage rating: 250V AC, DC
- \* Temperature range: -25°C~+85°C
- \* Insulation resistance: 1,000M Ω min.
- \* Withstand voltage: 1,500V AC/minute



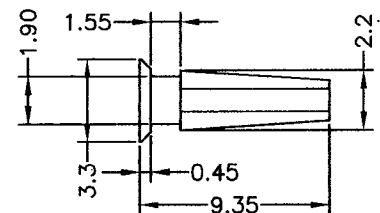
CKTS	PART NO.	DIMENSION in.(mm)		CKTS	PART NO.	DIMENSION in.(mm)	
		"A"	"B"			"A"	"B"
2	CH5081-02	0.400(10.16)	0.200(5.08)	7	CH5081-07	1.400(35.56)	1.200(30.48)
3	CH5081-03	0.600(15.24)	0.400(10.16)	8	CH5081-08	1.600(40.64)	1.400(35.56)
4	CH5081-04	0.800(20.32)	0.600(15.24)	9	CH5081-09	1.800(45.72)	1.600(40.64)
5	CH5081-05	1.000(25.40)	0.800(20.32)	10	CH5081-10	2.000(50.80)	1.800(45.72)
6	CH5081-06	1.200(30.48)	1.000(25.40)				

## Crimp terminal

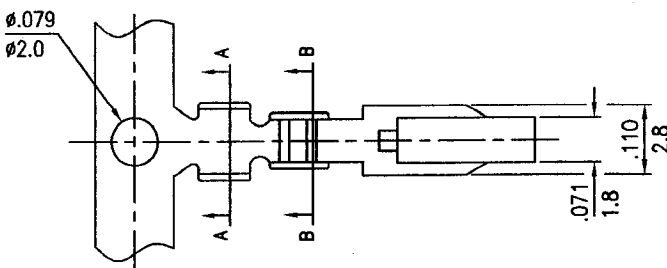
### CT393T Series

- \* Material:Brass
- \* Finished:Tin-plated
- \* Used in CH392, CH393, CH5081 series housings
- \* Wire range:AWG#18~#26
- \* Insulation O.D:2.50mm(max)
- \* Thickness:0.25mm
- \* Q'TY:6,000pcs/reel

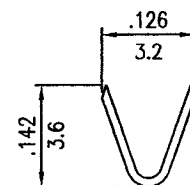
### Polarizing Plug



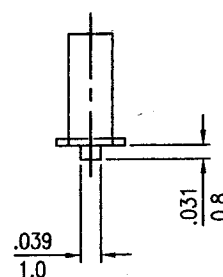
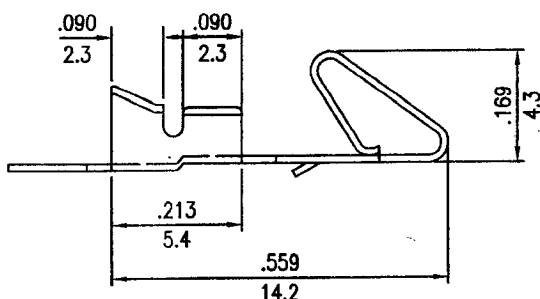
P/N : CK393



inches  
mm



A-A SECTION



B-B SECTION