

.165"(4.20mm) pitch panel mount Power connectors



P/N: CH4205-2xXXW0

Poles: 2~24

MATERIAL:

* Housing: NYLON 66 UL94V-0 White

FEATURES:

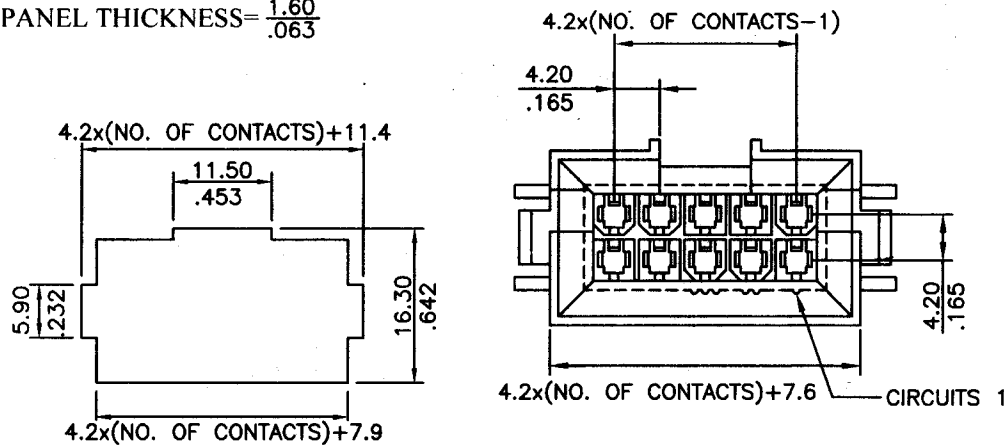
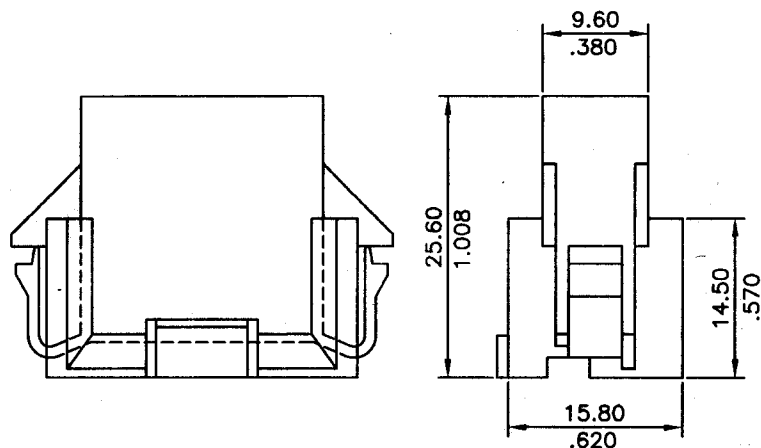
- * Current rating: 8 Amps Max
- * Voltage rating: 500V/AC (R.M.S.)
- * Mates with CH4204-XX Housing And CM4203SA-XX female headers
- * Suitable CT4202T series terminal

ELECTRICAL:

- * Withstand voltage: 1,500V AC/minute
- * Insulation resistance: 1,000MΩ min.
- * Contact resistance: 10MΩ Max
- * Temperature range: -40°C~+105°C

RECOMMENDED PCB CUTOUT

PANEL THICKNESS = $\frac{1.60}{.063}$



PANEL HOLE DIMENSIONS

.165"(4.20mm) pitch crimp terminal

P/N: CT4202T

* Material: Brass

* Finished: Tin-plated

* Used in CH4202 series housings

* Wire range: CT4202T: AWG#18~22

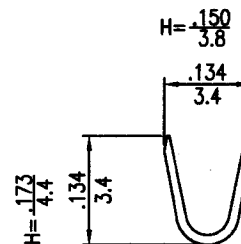
CT4202HT: AWG#16~18

* Insulation O.D: 3.00mm(max)

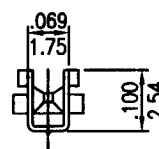
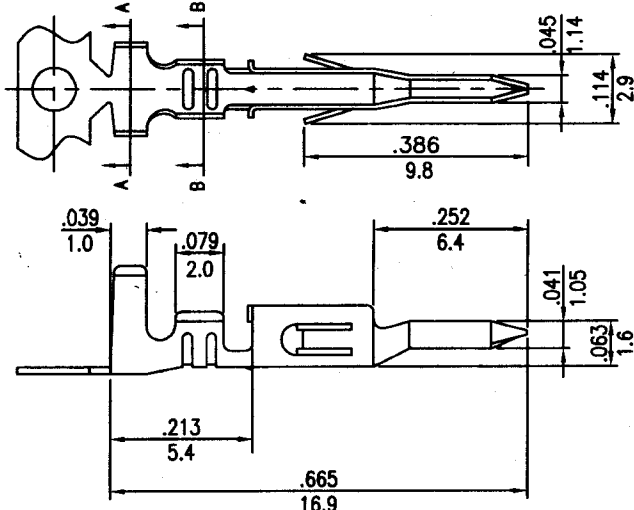
* Thickness: 0.20mm

* Q'TY: 5,000 pcs/reel

inches
mm



A-A SECTION



B-B SECTION