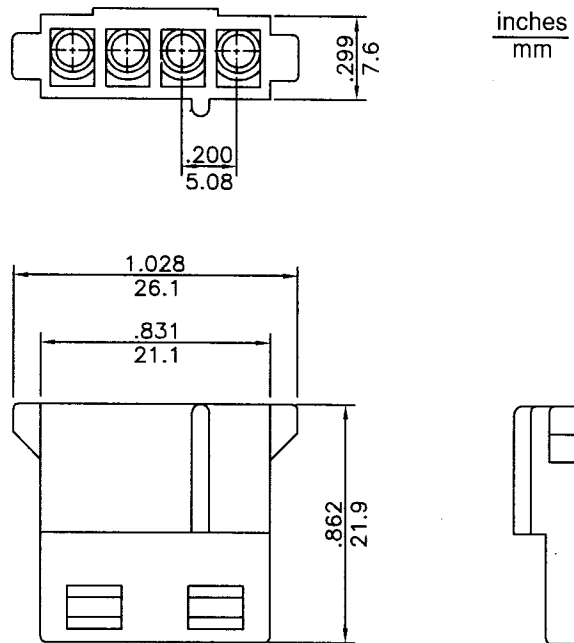


.200"(5.08mm) pitch power connectors



CH396-04 Series

- * Poles:4
 - * Material:NYLON 66 UL94V-2
 - * Suitable CT396HT series terminal
- Specifications
- * Current rating: 5A AC, DC
 - * Voltage rating: 250V AC, DC
 - * Temperature range: -25°C~+105°C
 - * Insulation resistance: 1,000MΩ min.
 - * Withstand voltage: 1,500V AC/minute



.200"(5.08mm) pitch crimp terminal

CT396HT Series

- * Material:Brass
- * Finished:Tin-plated
- * Used in CH396-04 series housings
- * Wire range:AWG#16~#18
- * Insulation O.D:2.50mm(max)
- * Thickness:0.30mm
- * Q'TY:7,000pcs/reel

