

# .100"(2.54mm) pitch Wire to Wire Connectors



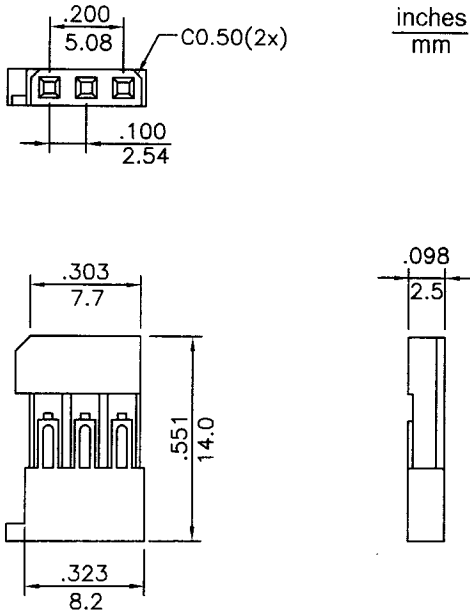
CH328H-03, CH328I-03 Series

- \* Material: PC UL94V-2 Black
- \* Suitable CT328 or CT328B series terminal
- \* Mates With C0018A-03, C0023A-03 series covers

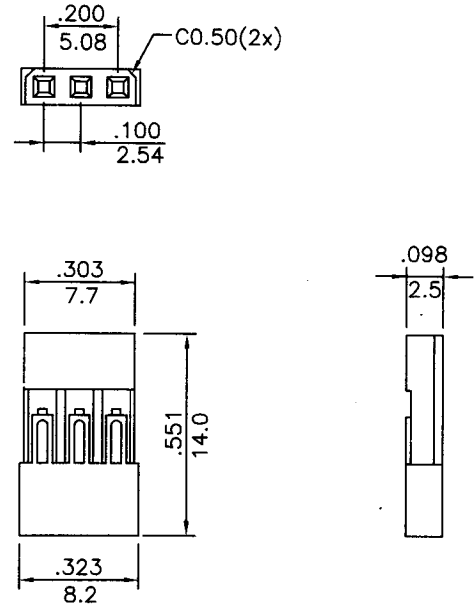
## Specifications

- \* Current rating: 3A AC, DC
- \* Voltage rating: 250V AC, DC
- \* Temperature range: -25°C~+85°C
- \* Insulation resistance: 1,000MΩ min.
- \* Withstand voltage: 800V AC/minute

P/N: CH328H-03B



P/N: CH328I-03B



## WIRE to WIRE CONNECTORS CAP FOR 3P

- \* Material: PC UL 94V-2 BLACK
- \* Mates With CH328H-03, CH328I-03 Housing

- \* Material: PC UL 94V-2 BLACK
- \* Mates With CH328I-03 Housing

FUTABA TYPE

P/N: C0018A-03B

JR TYPE

P/N: C0023A-03B

