

# .079"(2.00mm) pitch Wire to Board Housing

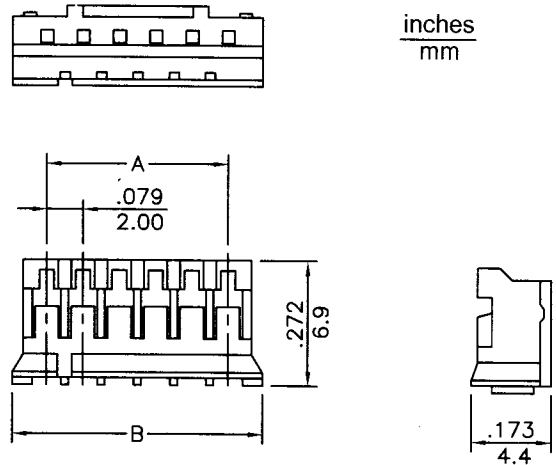


## CH203 Series

- \* Poles:2-20
- \* Material:NYLON 66 UL94V-2
- \* Suitable CT203T series terminal
- \* Mates with CW203X-XX series wafer

## Specifications

- \* Current rating: 1A AC, DC
- \* Voltage rating: 150V AC, DC
- \* Temperature range: -25°C~+85°C
- \* Insulation resistance: 1,000MΩ min.
- \* Withstand voltage: 800V AC/minute



CIRCUITS	PART NO.	DIMENSION in.(mm)		CIRCUITS	PART NO.	DIMENSION in.(mm)	
		A	B			A	B
2	CH203-02	0.079(2.00)	0.228(5.8)	12	CH203-12	0.866(22.00)	1.016(25.8)
3	CH203-03	0.157(4.00)	0.307(7.8)	13	CH203-13	0.945(24.00)	1.094(27.8)
4	CH203-04	0.236(6.00)	0.386(9.8)	14	CH203-14	1.024(26.00)	1.173(29.8)
5	CH203-05	0.315(8.00)	0.465(11.8)	15	CH203-15	1.102(28.00)	1.252(31.8)
6	CH203-06	0.394(10.00)	0.543(13.8)	16	CH203-16	1.181(30.00)	1.331(33.8)
7	CH203-07	0.472(12.00)	0.622(15.8)	17	CH203-17	1.260(32.00)	1.409(35.8)
8	CH203-08	0.551(14.00)	0.701(17.8)	18	CH203-18	1.339(34.00)	1.488(37.8)
9	CH203-09	0.630(16.00)	0.780(19.8)	19	CH203-19	1.418(36.00)	1.567(39.8)
10	CH203-10	0.709(18.00)	0.859(21.8)	20	CH203-20	1.496(38.00)	1.646(41.8)
11	CH203-11	0.787(20.00)	0.937(23.8)				

# .079"(2.00mm) pitch crimp terminal

## CT203T Series

- \* Material: Phos bronze
- \* Finished: Tin-plated
- \* Used in CH203-XX series housings
- \* Wire Range: AWG#24~#30
- \* Insulation O.D: 1.20mm(max)
- \* Thickness: 0.2mm
- \* Q'TY: 10,000pcs/reel

