

.079"(2.00mm) pitch Wire to Board Housing

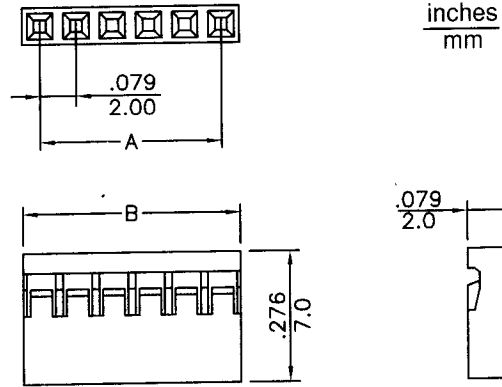


CH201 Series

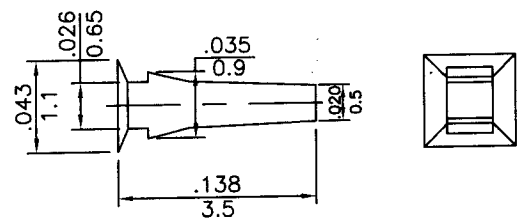
- * Poles:2-40
- * Material:NORYL UL 94-V1 BLACK
- * Suitable CT201GF series terminal
- * Mates with CW201 series Pin Header

Specifications

- * Current rating: 1A AC, DC
- * Voltage rating: 100V AC, DC
- * Temperature range: -25°C~+85°C
- * Insulation resistance: 1,000MΩ min.
- * Withstand voltage: 800V AC/minute



Polarizing Plug



P/N : CK201X

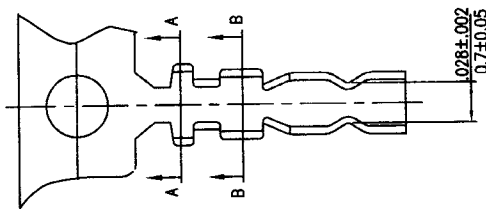
CIRCUITS	PART NO.	DIMENSION in.(mm)	
		A	B
2	CH201-02	0.079(2.00)	0.165(4.2)
3	CH201-03	0.157(4.00)	0.244(6.2)
4	CH201-04	0.236(6.00)	0.323(8.2)
5	CH201-05	0.315(8.00)	0.402(10.2)
6	CH201-06	0.394(10.00)	0.480(12.2)
7	CH201-07	0.472(12.00)	0.559(14.2)
8	CH201-08	0.551(14.00)	0.638(16.2)
9	CH201-09	0.630(16.00)	0.717(18.2)
10	CH201-10	0.709(18.00)	0.795(20.2)
40	CH201-40	3.071(78.00)	3.157(80.2)

.079"(2.00mm) pitch crimp terminal

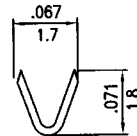
CT201GF Series

- * Material:Brass
- * Finished:Gold-plated/Gold flash
- * Used in CH201, CH202 series housings
- * Wire range:AWG#26~#30
- * Insulation O.D:1.35mm(max)
- * Thickness:0.2mm
- * Q'TY:10,000pcs/reel

inches
mm



A-A SECTION



B-B SECTION

