

# .079"(2.00mm) pitch crimp terminal housing

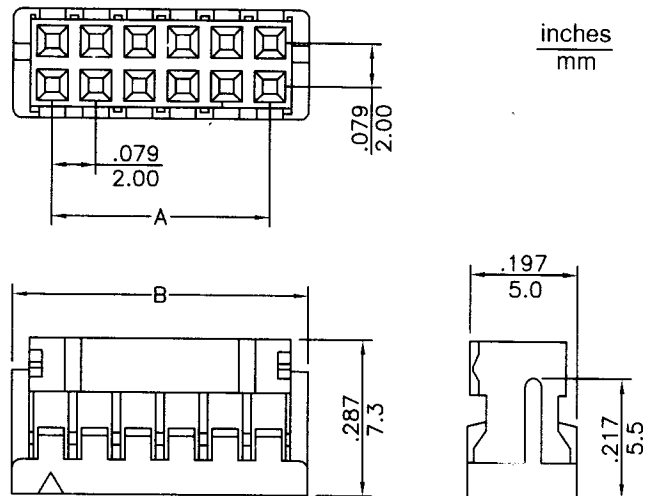


## CH2006 Series

- \* Poles:4-34
- \* Material:NYLON66 UL94V-2 BLACK
- \* Suitable CT2006T series terminal

## Specifications

- \* Current rating: 3A AC, DC
- \* Voltage rating: 250V AC, DC
- \* Temperature range: -25°C~+85°C
- \* Insulation resistance: 1,000M Ω min.
- \* Withstand voltage: 800V AC/minute



CIRCUITS	PART NO.	DIMENSION in.(mm)		CIRCUITS	PART NO.	DIMENSION in.(mm)	
		A	B			A	B
4	CH2006-2X2	0.079(2.00)	0.236(6.00)	20	CH2006-2X10	0.709(18.00)	0.866(22.00)
6	CH2006-2X3	0.157(4.00)	0.315(8.00)	22	CH2006-2X11	0.787(20.00)	0.945(24.00)
8	CH2006-2X4	0.236(6.00)	0.394(10.00)	24	CH2006-2X12	0.866(22.00)	1.024(26.00)
10	CH2006-2X5	0.315(8.00)	0.472(12.00)	26	CH2006-2X13	0.945(24.00)	1.102(28.00)
12	CH2006-2X6	0.394(10.00)	0.551(14.00)	28	CH2006-2X14	1.024(26.00)	1.181(30.00)
14	CH2006-2X7	0.472(12.00)	0.630(16.00)	30	CH2006-2X15	1.102(28.00)	1.260(32.00)
16	CH2006-2X8	0.551(14.00)	0.709(18.00)	32	CH2006-2X16	1.181(30.00)	1.339(34.00)
18	CH2006-2X9	0.630(16.00)	0.787(20.00)	34	CH2006-2X17	1.260(32.00)	1.417(36.00)

# .079"(2.00mm) pitch crimp terminal

## CT2006T Series

- \* Material:Phos bronze
- \* Finished:Tin-plated
- \* Used in CH2006 series housings
- \* Wire range:AWG#26-#30
- \* Insulation O.D:1.40mm(max)
- \* Thickness:0.2mm
- \* Q'TY:10,000pcs/reel

