

# 250 Series FASTON Receptacles

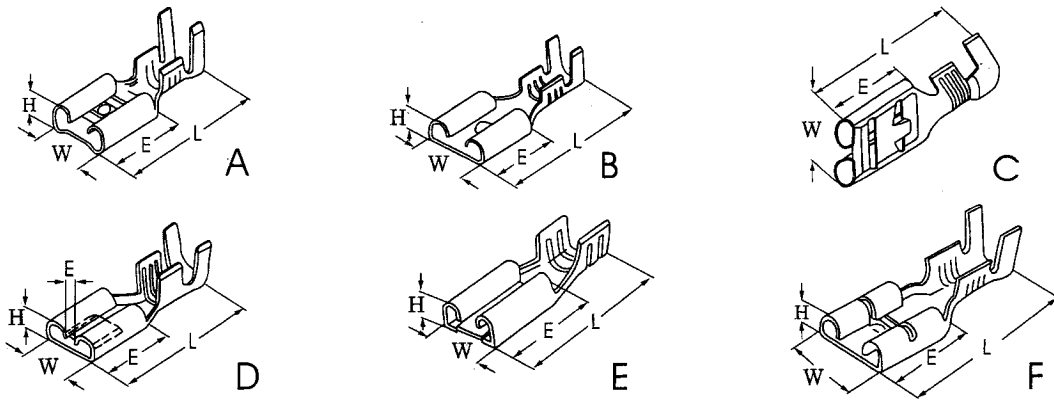


FIG	PART NO.	TREATMENT	WIRE RANGE		Dimension(mm)				THICKNESS (mm)	QTY	REMARKS
			mm <sup>2</sup>	AWG#	H	W	L	E			
A	804401-81BS	0 2	2.0~3.5	14~12	3.1	7.6	19.3	7.8	0.45	4,000	TAB=0.8 CTO-81-250
A	804401-61BS	0 2	0.5~2.0	20~14	3.1	7.6	19.3	7.8	0.45	5,000	TAB=0.8 CTO-61-250
A	804401-21BS	0 2	0.3~0.8	22~18	3.1	7.6	19.3	7.8	0.45	5,000	TAB=0.8 CTO-21-250
A	804402-51BS	0 2	0.5~2.0	20~14	3.2	7.6	19.4	7.8	0.4	5,000	TAB=0.8 250-8高腳
A	804402-21BS	0 2	0.22~0.5	24~20	3.1	7.6	18.8	7.8	0.4	5,000	TAB=0.8 250-8低腳
A	804402-51BL	0 2	0.5~2.0	20~14	3.1	7.6	19.4	7.8	0.4	2,500	TAB=0.8 250-8單粒
A	804402SS	0	0.5~2.0	20~14	3.2	7.6	19.4	7.8	0.4	5,000	TAB=0.8 250-8白鐵
B	804404BS	0 2	0.5~2.0	20~14	3.0	7.6	19.3	7.8	0.4	5,000	TAB=0.8 點平面高腳
C	804405BS	0 2	0.5~2.0	20~14	3.1	7.6	19.4	7.8	0.4	5,000	TAB=0.8 短勾高腳
C	804406BS	0 2	2.0~3.5	14~12	3.1	7.6	19.4	7.8	0.4	4,000	短勾 超高低腳
D	804410BS	0 2	0.5~2.0	20~14	3.0	7.6	19.4	7.8	0.4	5,000	250-6 高腳凹
D	804411BS	0 S	2.0~3.5	14~12	3.0	7.6	19.4	7.8	0.4	4,000	250-6 超高低腳凹
E	804420BS	0 S	0.8~2.0	18~14	3.1	7.6	15.5	7.8	0.4	5,000	TAB=0.8 250-8單腳
F	804415-91BS	0 S	2.0~5.5	14~10	3.15	7.6	19.0	7.6	0.4	3,500	250-8超高 卡死型AMP
F	804415-61BS	0 S	0.8~2.0	18~14	3.15	7.6	19.0	7.6	0.4	5,000	250-8高 卡死型AMP
F	804415-21BS	0 S	0.3~0.8	22~18	3.15	7.6	19.0	7.6	0.4	5,000	250-8低 卡死型AMP

## ORDER INFORMATION

8044XX-XX  $\frac{B}{1}$   $\frac{S}{2}$   $\frac{L}{3}$   $\frac{0}{4}$

1. SERIES
2. MATERIAL : B=BRASS
3. PACKAGE OPTION :  
S=SERIAL, L=LOOSE
4. SURFACE TREATMENT :  
S=PRE-TIN  
0=NONE  
2=TIN PLATING