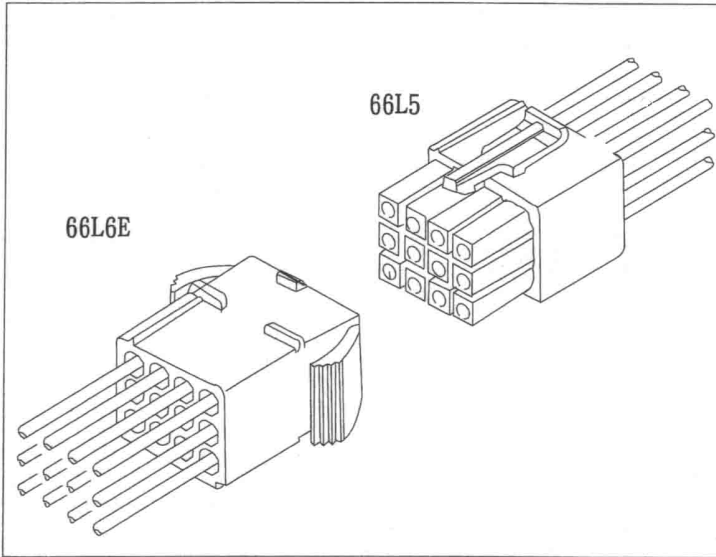


SERIES 66L5
66L6 .079" (ϕ 2.0m/m) Wire to Wire Connectors



SPECIFICATIONS

- ★ Circuit:1,2,3,4,6,9,12,15
- ★ Voltage rating:300V AC,DC
- ★ Current rating:12A AC,DC
- ★ Withstanding voltage:1500V AC/minute
- ★ Insulation resistance:1000M Ω min
- ★ Temperature range:-25°C ~ +90°C
- ★ Unit(單位):m/m
- ★ Material(材質):UL94V-2 nylon 66
- ★ Tolerance(公差): \pm 0.3 m/m

Part NO	WIRE RANGE	O.D.OF WIRE INSULATION	MATERIAL	PLATING	QUANTITY PER REEL
	AWG				
T66L5-A	20-14	1.9-3.4	PHOSPHOR	TIN-Plated	3500
			GOLD-FLASH	BRONZE	
T66L5-B	24-20	1.5-2.7	PHOSPHOR	TIN-Plated	5000
			GOLD-FLASH	TIN-Plated	

Part NO	WIRE RANGE	O.D.OF WIRE INSULATION	MATERIAL	PLATING	QUANTITY PER REEL
	AWG				
T66L6-A	20-14	1.9-3.4	PHOSPHOR	TIN-Plated	3500
			GOLD-FLASH	BRONZE	
T66L6-B	24-20	1.5-2.7	PHOSPHOR	TIN-Plated	5000
			GOLD-FLASH	TIN-Plated	

PART NO : T66L5 (A-高脚 High Heel
B-低脚 Low Heel)

PART NO : T66L6 (A-高脚 High Heel
B-低脚 Low Heel)

