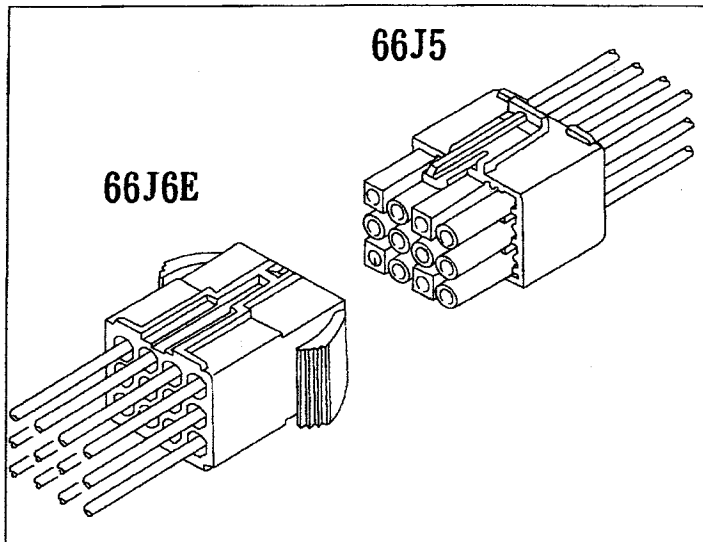


# SERIES 66J5 66J6 .051" ( $\phi$ 1.3m/m) Wire-to-wire Connectors

## SPECIFICATIONS

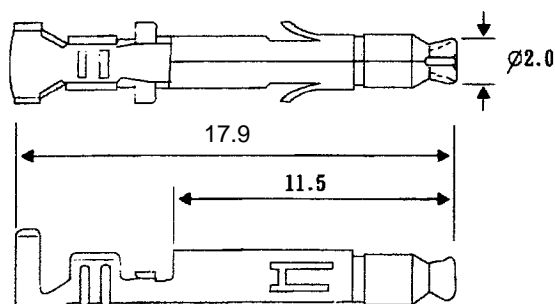


- ⊛ Circuit: 2, 3, 4, 6, 9, 12, 15
- ⊛ Voltage rating: 300V AC, DC
- ⊛ Current rating: 6A AC, DC
- ⊛ Withstanding voltage: 1500V AC/minute
- ⊛ Insulation resistance: 1000M $\Omega$  min
- ⊛ Temperature range: -25°C ~ +85°C
- ⊛ Unit(單位): m/m
- ⊛ Material(材質): UL94V-0 nylon 66
- ⊛ Tolerance(公差)  $\pm$ 0.3 m/m

Part NO	WIRE RANGE	O. D. OF WIRE	MATERIAL	PLATING	QUANTITY PER REEL
	AWG	INSULATION			
T66J5A	20-16	1.9-3.4	BRASS	TIN-Plated	5000
T66J5B	22-18	1.3-2.7	BRASS	TIN-Plated	7000

Part NO	WIRE RANGE	O. D. OF WIRE	MATERIAL	PLATING	QUANTITY PER REEL
	AWG	INSULATION			
T66J6A	20-16	1.9-3.4	BRASS	TIN-Plated	5000
T66J6B	22-18	1.3-2.7	BRASS	TIN-Plated	7000

PART NO : T66J5X (A-高脚 High Heel)  
(B-低脚 Low Heel)



PART NO : T66J6X (A-高脚 High Heel)  
(B-低脚 Low Heel)

